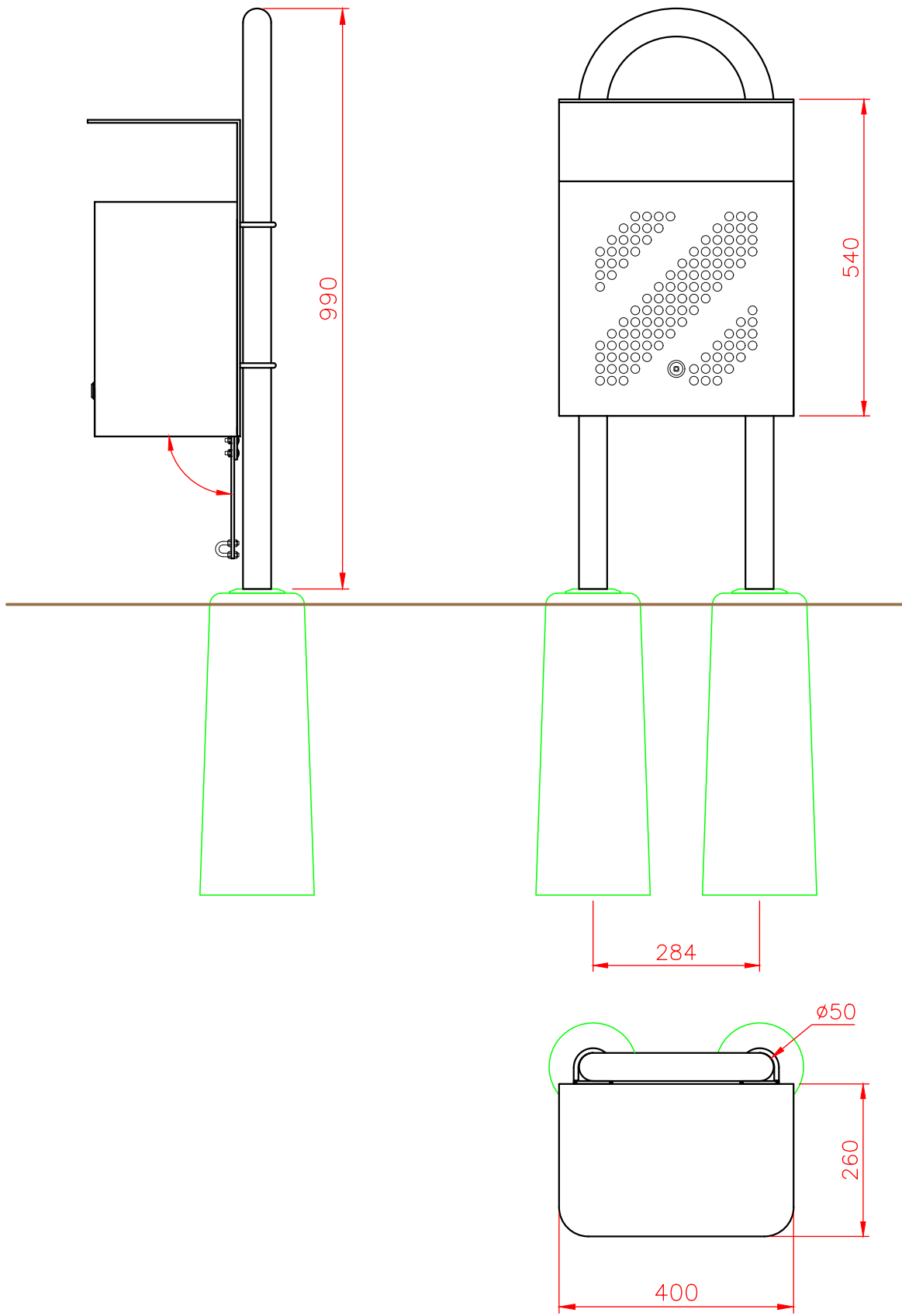


Nr.	Ant.	Ändring och/eller medd.-nr	Datum	Inf.	Godk.
-----	------	----------------------------	-------	------	-------



WELAND ALUMINIUM AB  
 This document must not be copied without our written permission and the contents thereof must not be imparted to a third party nor be used for any unauthorized purpose. Contravention will be prosecuted.

-		-		-		-		-		
Det.nr	Ant.	Benämning			Material	Mod.nr ämne Dimension	Anm.			
Konstr.	Ritad	Kop.	Konstr.	Stand.	Format	Skala	Generell tolerans			
-	AÅ	-	-	-	A4	1:8	-			
<b>WELAND</b>		HEDE PAPPERSKORG inkl båge och plintar					Objektnummer	Datum		
BJÖRNSTORPSVÄGEN 2 342 30 ALVESTA TFN +46 (0)472-445 00		ALUMINIUM		-		-		121114		
Ritningsnummer							HEDE inkl båge		Rev.	
-							-		-	