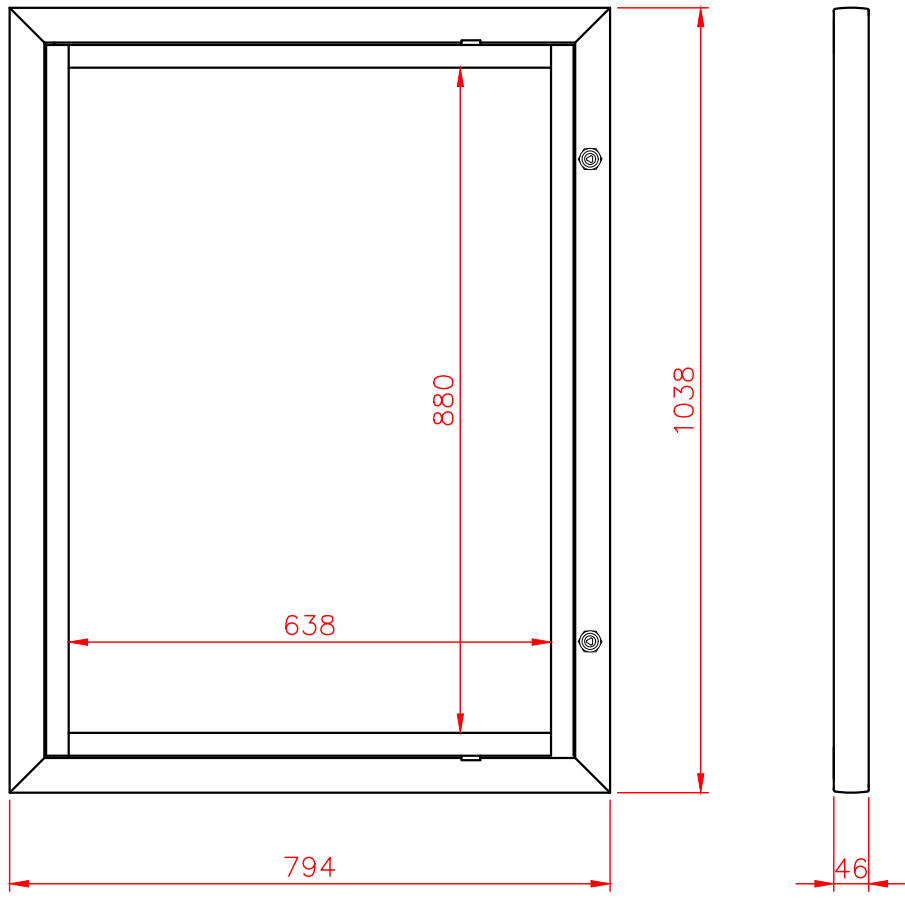


Nr.	Ant.	Ändring och/eller medd.-nr	Datum	Inf.	Godk.
-----	------	----------------------------	-------	------	-------



WELAND ALUMINIUM AB  
 This document must not be copied without our written permission and the contents thereof must not be imparted to a third party nor be used for any unauthorized purpose. Contravention will be prosecuted.

-		-		-		-		-	
Det.nr	Ant.	Benämning			Material	Mod.nr ämne Dimension	Anm.		
Konstr.	Ritad	Kop.	Konstr.	Stand.	Godk.	Skala	Ersätter	Ersatt av	
-	ÅÅ					1:10			
 BJÖRNSTORPSVÄGEN 2 342 30 ALVESTA TFN +46 (0)472-445 00		INFOSKÅP 2x2 A3 ArtNr: 300-01003005				Objektnummer	Datum		
						Ritningsnummer	Rev.		
						300-01003005	101130		